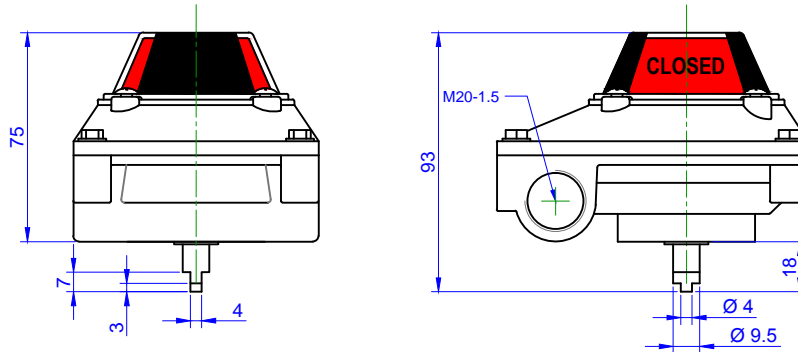
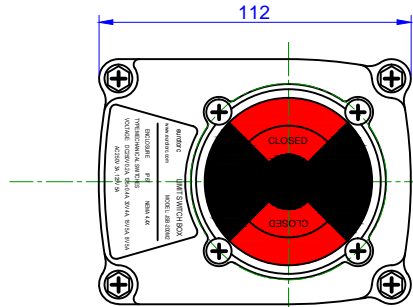
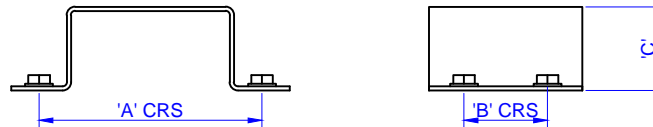
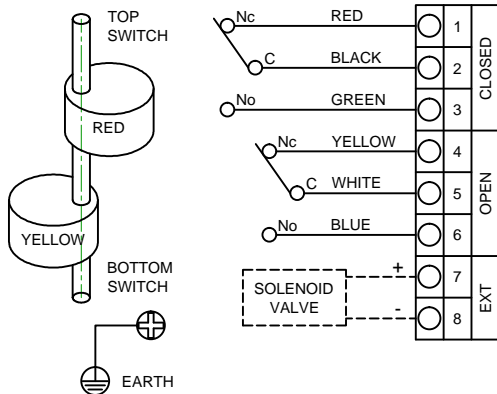


DRG No.	IF IN DOUBT ASK	ALL DIMENSIONS IN MILLIMETRES UNLESS STATED	DO NOT SCALE
---------	-----------------	---	--------------

Standard Specification	
Enclosure:	Die-Cast Aluminium with Polyester Powder Coating (O-ring Sealed)
O-Rings:	Buna N
Weather Proof:	IP67
Cable Entry:	M20-1.5
Temperature Range:	-20°C - +85°C
Position Indicator:	0-90 degree Open-Yellow; Closed-Red
Mechanical Switches	5A125-250VAC
Terminal Strips:	8
Proximity Sensor:	DC24V(10-30VDC), ≤ 150mA
Magnet Sensor:	5-240VAC/DC, ≤ 300mA
Mounting Bracket	Stainless Steel
Mechanical Switches	Honeywell
Proximity Sensor	Pepperl+Fuchs German
Optional:	Round/Flate Indicator



Eurotorc 'JSB-200M2' IP67 weatherproof Switchbox.
 Black powder coated Aluminium enclosure.
 Stainless Steel Namur Shaft.
 Red/Yellow Beacon Indicator.
 Housing 2 x Volt Free SPDT Micro Switches.
 With 2 x M20 cable entries.
 Supplied with a Stainless Steel Bracket & Fasteners.



Bracket	A	B	C	Application
MBP-100	80	30	30	80 x 30 x 20
MBP-200	80	30	40	80 x 30 x 30
MBP-300	130	30	40	130 x 30 x 30
MBP-400	130	30	60	130 x 30 x 50

REV	DATE	DESCRIPTION OF REVISION	SIGN

THIRD ANGLE PROJECTION

DESCRIPTION:

**EUROTORC 'JSB-200M2'
 IP67 WEATHERPROOF SWITCHBOX**

ITEM	DESCRIPTION	QTY	MANUFACTURER / REF	MATERIAL
1				
2				
3				
4				
5				
6				
7				
8				
9				
10				
11				

EUROTORC
 sales@eurotorc.com
 www.eurotorc.com



DRAWN SMP
 DATE 22/01/16
 APPROVED

THIS DRAWING IS THE PROPERTY OF EUROTORC AND MUST NOT BE COPIED, LENT OR USED IN PART OR IN WHOLE WITHOUT WRITTEN CONSENT.