

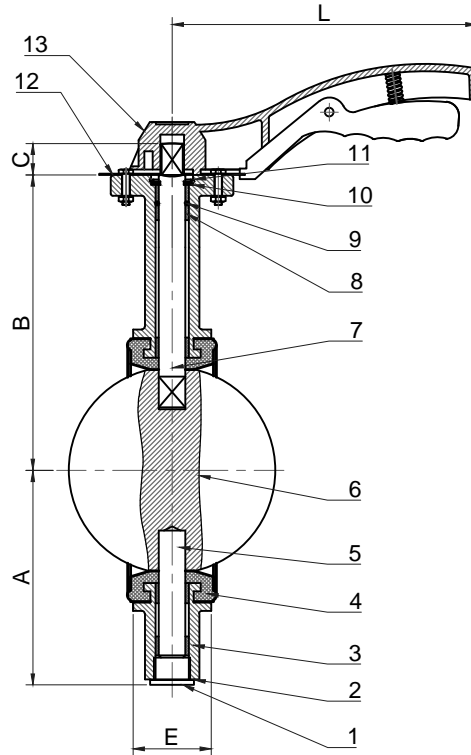
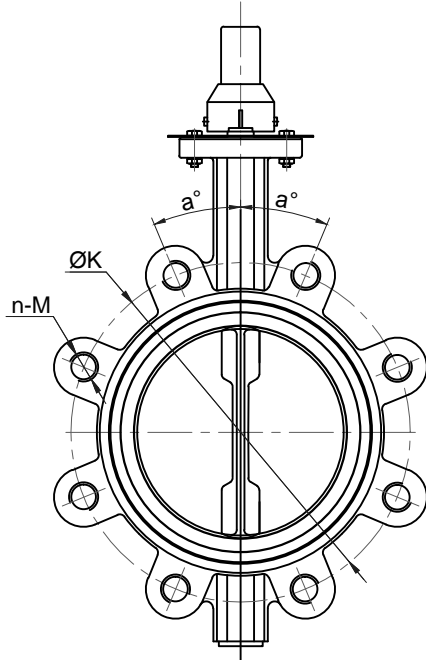
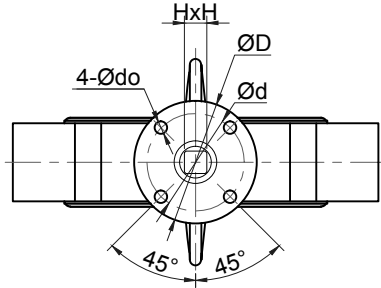
DRG No. ED0187

IF IN DOUBT ASK

ALL DIMENSIONS IN MILLIMETRES UNLESS STATED

DO NOT SCALE

| SIZE | A | B | C | E | L | ØK | n - M | a° | ØD | Ød | 4-Ødo | HxH | Kg |
|-------|-----|-----|----|----|-----|-----|----------|-------|-----|--------|----------------|-------|-------|
| DN40 | 70 | 140 | 12 | 32 | 170 | 110 | 4 - M16 | 45° | 64 | 50 | 4 - 7 | 11x11 | 2.63 |
| DN50 | 78 | 161 | 12 | 43 | 170 | 125 | 4 - M16 | 45° | 65 | 50 | 4 - 7 | 11x11 | 3.45 |
| DN65 | 92 | 160 | 12 | 46 | 170 | 145 | 4 - M16 | 45° | 65 | 50 | 4 - 7 | 11x11 | 4.23 |
| DN80 | 102 | 165 | 16 | 46 | 215 | 160 | 8 - M16 | 22.5° | 90 | 70 | 4 - 9 | 14x14 | 5.83 |
| DN100 | 120 | 185 | 16 | 52 | 215 | 180 | 8 - M16 | 22.5° | 90 | 70 | 4 - 9 | 14x14 | 6.96 |
| DN125 | 132 | 210 | 16 | 56 | 215 | 210 | 8 - M16 | 22.5° | 90 | 70 | 4 - 9 | 14x14 | 10.25 |
| DN150 | 158 | 210 | 19 | 56 | 215 | 240 | 8 - M20 | 22.5° | 90 | 70 | 4 - 9 | 17x17 | 11.36 |
| DN200 | 180 | 250 | 19 | 60 | 350 | 295 | 12 - M20 | 15° | 125 | 70/102 | 4 - 9 / 4 - 12 | 17x17 | 23.43 |
| DN250 | 215 | 295 | 24 | 68 | 350 | 355 | 12 - M24 | 15° | 125 | 102 | 4 - 12 | 22x22 | 33.22 |
| DN300 | 251 | 320 | 24 | 78 | 350 | 410 | 12 - M24 | 15° | 125 | 102 | 4 - 12 | 22x22 | 42.27 |



Face to Face Dim. According to EN558 Series 20
 ISO5752 Series 20
 BS5155 Series 4
 Top Flange According to ISO5211
 Flange Accomodation: EN1092-1 PN16

| REV | DATE | DESCRIPTION OF REVISION | SIGN |
|-----|------|-------------------------|------|
| | | | |
| | | | |
| | | | |

THIRD ANGLE PROJECTION

DESCRIPTION:

**EUROTORC ETL-711
 LUGGED & TAPPED BUTTERFLY VALVE
 DN40 TO DN300**

| ITEM | DESCRIPTION | QTY |
|------|--------------------------------|-----|
| 1 | LOWER STEM PLUG | 1 |
| 2 | LOWER STEM PLUG SEAL | 1 |
| 3 | BODY | 1 |
| 4 | SEAT | 1 |
| 5 | LOWER STEM | 1 |
| 6 | DISC | 1 |
| 7 | UPPER STEM | 1 |
| 8 | BEARING | 5 |
| 9 | STEM SEAL | 1 |
| 10 | ANTI-EXTRUSION RING / FOLLOWER | 1 |
| 11 | CIRCLIP | 1 |
| 12 | NOTCH PLATE | 1 |
| 13 | HANDLEVER | 1 |

EUROTORC
 sales@eurotorc.com
 www.eurotorc.com



DRAWN SMP
 DATE 16/06/15
 APPROVED

THIS DRAWING IS THE PROPERTY OF EUROTORC AND MUST NOT BE COPIED, LENT OR USED IN PART OR IN WHOLE WITHOUT WRITTEN CONSENT.